

Bianca Chair

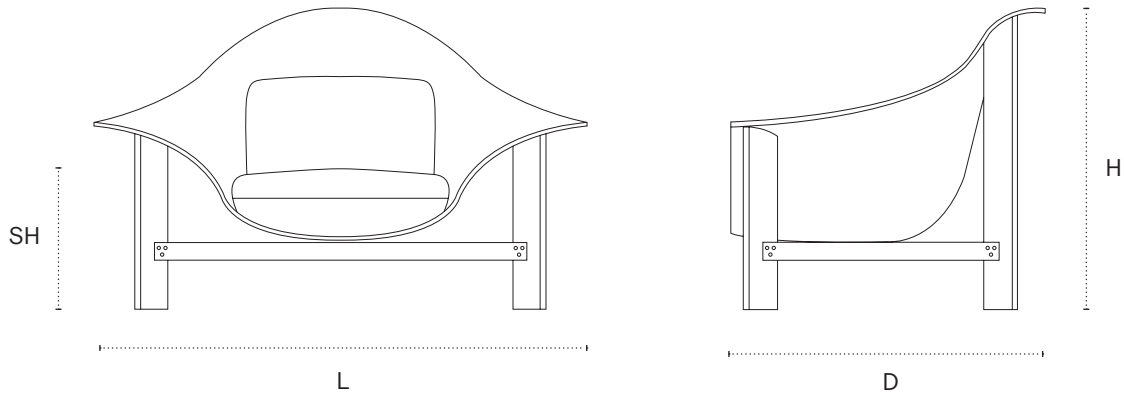


Shown in Walnut with Orior Leather, Brick and in Oak with Orior Leather, Flamingo

* Tonal Velvets available to match all Leather options

DIMENSIONS

46" L x 26.5" D x 26" H x 15" SH



Technical details

Structure

Resin mould

Base

Natural Oak / Solid Walnut

Seat / Back cushion

High Density Foam

Orior Leather

Brick / Flamingo / Sapphire / Ginger

Yardage required

2 yards